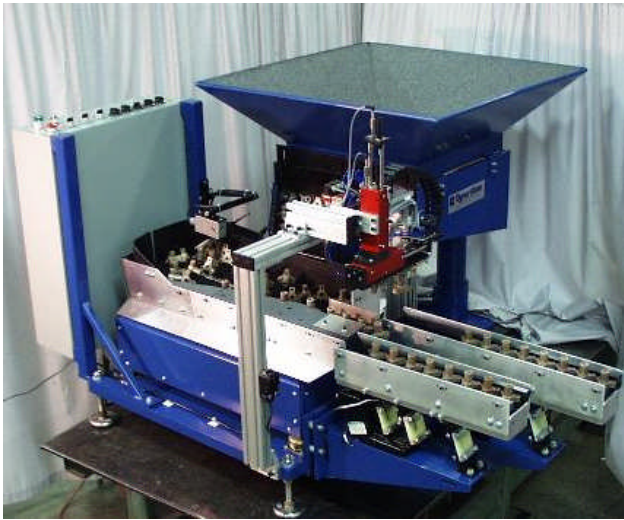


Small Part- Flex Feeder



FLEX FEED PROCESS :

- Flex Feed systems feed wide variety of parts or packages with features or geometry not favorable for standard feeders from bulk supply and gently distributes parts to operators or vision guided robots.
- Flex Feed process is scalable to part dimensions, weight and throughput
- May be use "pick field of view" or "pick on the fly" methodology
- Integrated to or stand alone from downstream or upstream processes

FLEX FEED PROCESSING BENEFITS:

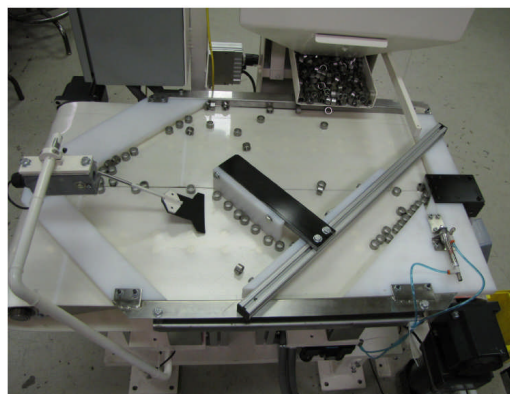
- Positive part, package or materials distribution to pick process.
- Gentle, package or material handling uses none marking tooling
- Autonomous operation with simple I/O Interface
- Available with vibratory belt configurations
- Handles Families of Parts with a single feeder
- Zero drop, simple recirculation of parts
- Available in a wide range of configurations



Fanuc-Vision Guided Robot.

Common Applications:

- Light Bulbs
- Electronic Parts
- Fine Packaging
- Machined Parts
- Fastners
- Friable Parts (Ceramics)
- Parts w/ Finished Surfaces



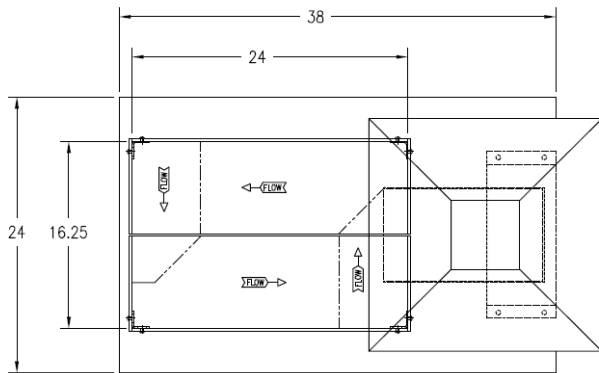
Flexible-Part feeding solutions can be scaled to any size to suit your part requirements. Available as gentle bi-directional vibratory brush and gentle vibratory belt systems suitable for most industrial environments.

Dyna-Slide

Flexible Feeding

From your proven “gentle” part, package or materials, experts

CDS-LIPE FLEX FEED APPLICATIONS

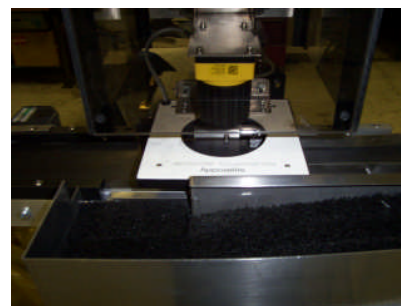
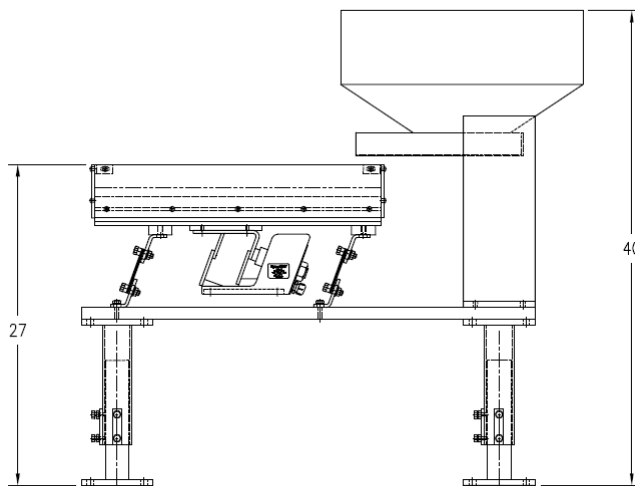


Typical Small Part Flex Feed Configuration:

- .5, 1,2 and 3 cu ft Bulk Supply Hoppers
- 16" x 24" Tables
- 16" x 32" Tables
- 24" x 24" Tables
- 5° Incline Return
- 1.5" Machine Base 32" +/- 3" Surface
- 115V/1/60 Power Supply
- I/O Interface

Note: Typical configuration is based on Dyna-Slide Linear bi-directional conveyors with circular brush pattern

Best used for “pick field of view” applications.



Dyna-Slide Based Flex Feeders can include part orientation features to minimize part recirculation and achieve higher feed rates.

Dyna-Belt Based Flex Feeders can include back lit pick belt for difficult part selection.

Dyna-Slide

LOW NOISE-LOW MAINTENANCE-HIGH YIELD TECHNOLOGY

□ CDS LIPE * 800-448-7822 * www.cds-lipe.com